

enMotion® Recessed Automated Touchless Towel Dispenser Installation Instructions for New and Retrofit Construction



This manual is designed to assist you in the installation of the Georgia-Pacific enMotion Recessed Automated Touchless Towel Dispenser. Below you will find several different application procedures. If you should have any questions, please contact our Installation Support Team at 1-877-377-2737.

NOTE:

The following tools are necessary to properly complete this installation:

- Cordless drill and Phillips head drill bit
- Hammer
- Vise grip pliers
- Masking tape
- Sheetrock saw
- Two drift pins: one 1/32" and one 1/16" diameter
- #10 pan head self-tapping screws

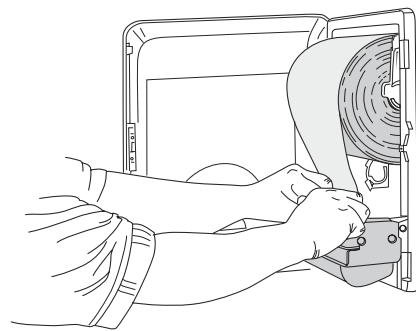
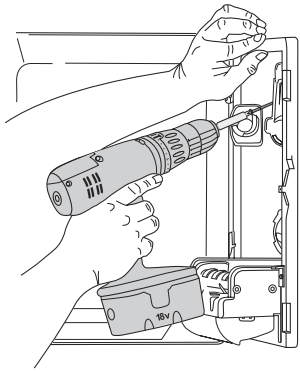
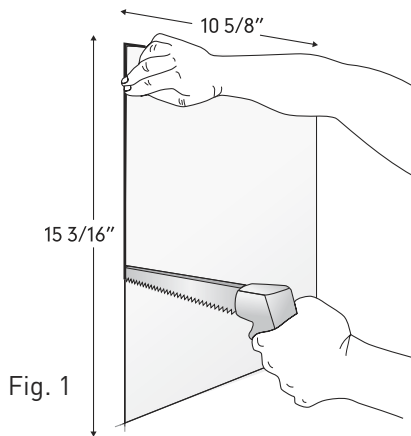
Georgia-Pacific professional installation available at no cost for 20 units or more.

Georgia-Pacific makes no representations or warranties of Bobrick Washroom Equipment, Inc. ("Bobrick").

The installation description and illustration herein are to serve as a guide. Georgia-Pacific reserves the right and does from time to time make changes and improvements in design, dimensions and subsequent installation instructions. Georgia-Pacific does not take responsibility for any damage, or injury to persons or property or any other incidental or consequential losses due to these installation instructions.

enMotion® is a registered trademark of Georgia-Pacific Corporation ©2005.
Georgia-Pacific Corporation. All rights reserved.

Installation of enMotion Recessed Automated Touchless Towel Dispenser into Sheetrock Wall



Locate stud in wall and cut hole to accommodate enMotion Recessed Automated Touchless Towel Dispenser.

Cut hole that is 10-5/8" wide by 15-3/16" length. (See Fig. 1)

Install and fit enMotion Recessed Automated Touchless Towel Dispenser into wall cavity.

Ensure enMotion Recessed Automated Touchless Towel Dispenser is attached to stud or frame cavity as necessary.

Note: enMotion Recessed Automated Touchless Towel Dispenser will need to be grounded to operate properly.

Locate mounting slots inside enMotion Recessed Automated Touchless Towel Dispenser.

Secure through mounting slots into studs.(See Fig. 2)

Install battery pack and test.

Load Georgia-Pacific roll towel and close door. (See Fig. 3)

Clean off enMotion Recessed Automated Touchless Towel Dispenser using isopropyl rubbing alcohol. (See Fig. 4)

"The Perfect Fit" Cabinet Installation

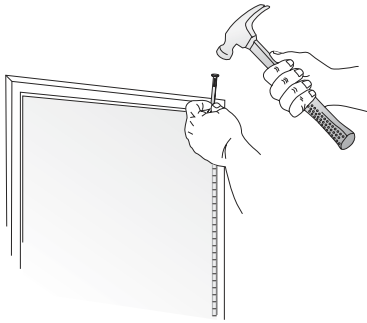


Fig. 1

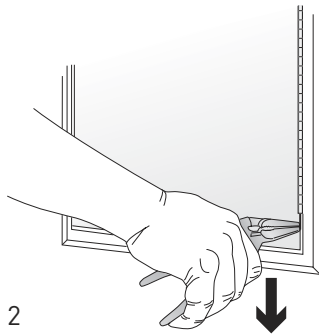


Fig. 2



Fig. 3

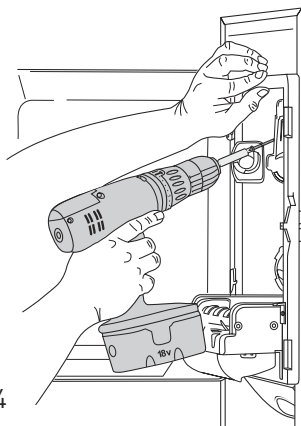


Fig. 4

Cabinet dimensions required 10-5/8" x 15-1/4".

Remove existing dispenser. (If Bobrick unit, see removal instructions below.)

Tap Hinge Pin to expose at bottom of hinge. (See Fig. 1)

Pull Hinge Pin straight down to remove. (See Fig. 2)

Install and fit enMotion Recessed Automated Touchless Towel Dispenser into cavity. (See Fig. 3)

Locate mounting slots inside enMotion Recessed Automated Touchless Towel Dispenser.

Secure with drywall screws through mounting slots into studs. (See Fig. 4)

If the existing door is larger than 13.5" in width by 16.5" in length then a Custom Filler Panel will be required. Contact a GP Marketing Services representative for Filler Panel availability options. Call 1-877-377-2737 or e-mail customerservice@gpdispensers.com. Note: If installation requires a Custom Filler Panel, you will need to allow at least 14 working days for delivery.

Installation of enMotion Recessed Automated Touchless Towel Dispenser and Trash Receptacle into Wall

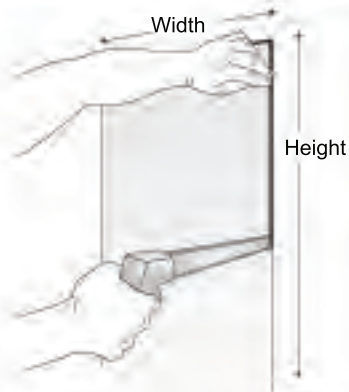


Fig. 1

Locate stud in wall and cut hole to accommodate enMotion Recessed Automated Touchless Towel Dispenser and Trash Receptacle.

For SKU# 59491 Trash Receptacle (16" cavity) cut hole that is 15.75" wide by 54" long at recommended height of 3" from floor (see Fig. 1).

For SKU# 59471 Trash Receptacle (12" cavity) cut hole that is 11" wide by 57.5" long at recommended height of 4" from floor (see Fig. 1).

For SKU# 59451 Trash Receptacle (12" cavity) cut hole that is 11.75" wide by 52" long at recommended height of 4" from floor (see Fig. 1).

For SKU# 59453 Trash Receptacle (12" cavity) cut hole that is 11" wide by 46.75" long at recommended height of 4" from floor (see Fig. 1).



Fig. 2

Install and fit enMotion Recessed Trash Receptacle into wall cavity. Secure into studs using 2" #10 pan head self-tapping screws through holes provided (See Fig. 2).

Ensure the enMotion Recessed Trash Receptacle is attached to stud or frame cavity as necessary.

Locate the mounting slots inside the enMotion Recessed Automated Touchless Towel Dispenser.

Secure the enMotion Recessed Automated Touchless Towel Dispenser into the Trash Receptacle using 2" #10 pan head self-tapping screws. (See Fig. 3).

Install battery pack and test.

Load the Georgia Pacific roll towel and close door (See Fig. 4).

Clean off the enMotion Recessed Automated Touchless Towel Dispenser using isopropyl rubbing alcohol (See Fig. 5).

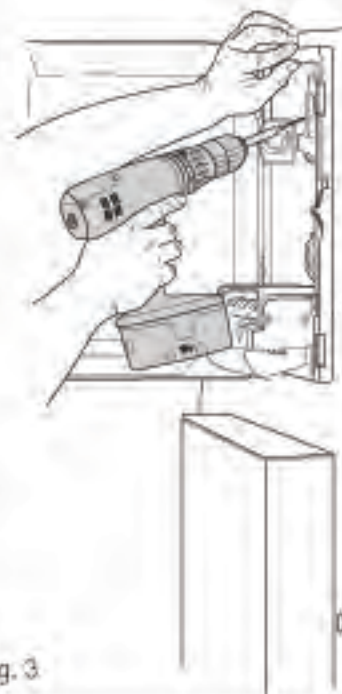


Fig. 3



Fig. 4



Fig. 5

ASI/Bohrick Roll Towel – Center Mount Installation (Requires Custom Filler Panel)

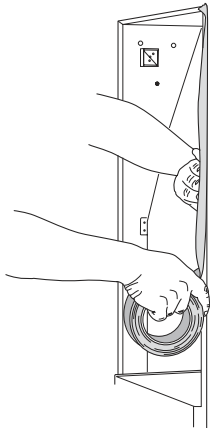


Fig. 1

Step 1: Removing Door from Existing Cabinet

Apply masking tape above and below the hinge to protect the cabinet while removing the door. (See Fig. 1)

With door closed and locked (some ASI units require the door to be open), drive the hinge pin down from the top using a drift pin and hammer. (See Fig. 2)

Grip the bottom of the hinge pin with vise grip pliers and pull down to remove. If the pin does not slide out easily, tap the vise grips lightly with a hammer. (See Fig. 3)

Open and remove the door. Remove the protective tape.

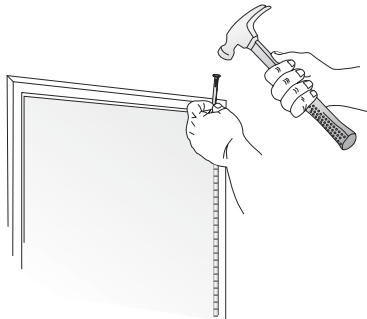


Fig. 2

Step 2: Removing Towel Dispenser from Cabinet

Using a Phillips head screwdriver, remove the four screws that secure the towel dispenser inside the cabinet. **Note: In some cases this unit may be spot welded in the cabinet. You will be required to break the weld using a small hammer and chisel.** (See Fig. 4)

Once the Roll Towel dispenser has been removed you are now ready to install the enMotion Recessed Automated Touchless Towel Dispenser.

This installation will require a custom Filler Panel. Contact a GP Marketing Services representative for Filler Panel availability options.

Call 1-877-377-2737 or e-mail customerservice@gpdispensers.com.

Note: Please allow at least 14 working days for delivery.

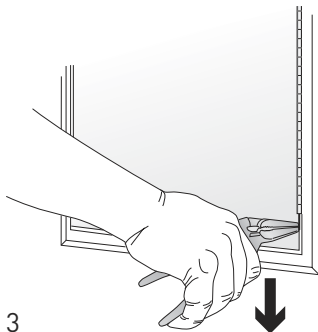


Fig. 3

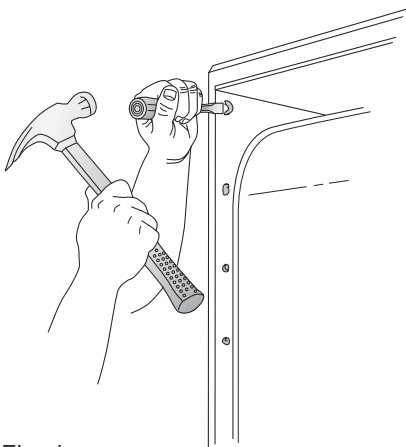


Fig. 4

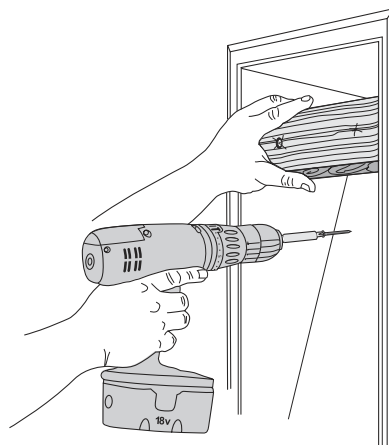


Fig. 5

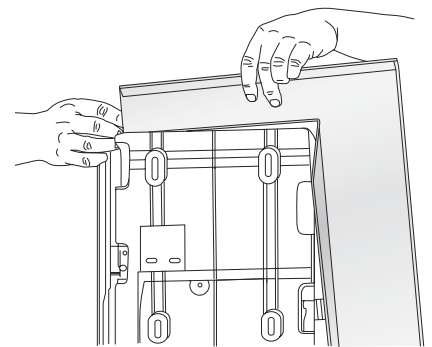


Fig. 6

Step 3: Installation of the New enMotion Recessed Automated Touchless Towel Dispenser

Since this cabinet is very deep and wide, it will be necessary to install wood shims on each side and in the back of the cabinet in order to secure the new enMotion Recessed Automated Touchless Towel Dispenser. (See Fig. 5) Remove the plastic protective film from the Custom Filler Panel. Apply two-way tape to the inside flanges Filler Panel.

Insert enMotion Recessed Automated Touchless Towel Dispenser into the Filler Panel. The two-way tape will help hold the Filler Panel around the unit during installation. Note: Be sure that the grounding plate located on the flange of the enMotion Recessed Automated Touchless Towel Dispenser is touching the Filler Panel. This will allow for the enMotion Recessed Automated Touchless Towel Dispenser to be properly grounded. (See Fig. 6)

Open the door of the enMotion Recessed Automated Touchless Towel Dispenser. You will see holes in the chase that will allow you to secure the unit into the wood shims using # 10 screws. Insert the enMotion Recessed Automated Touchless Towel Dispenser and Filler Panel into the cavity inside the cabinet. The Filler Panel should be flush with the face of the cabinet. While holding the enMotion Recessed Automated Touchless Towel Dispenser firmly in position, insert two # 10 screws in each side of the new enMotion Recessed Automated Touchless Towel Dispenser. (See Fig. 7)

Install battery pack and test.

Load Georgia-Pacific roll towel and close door. (See Fig. 8)

Clean off unit using isopropyl rubbing alcohol. (See Fig. 9)

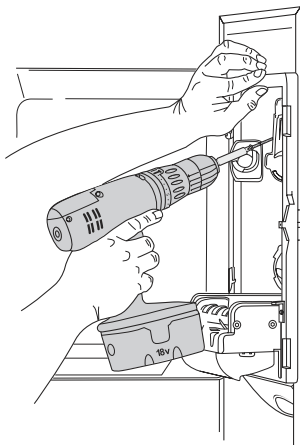


Fig. 7

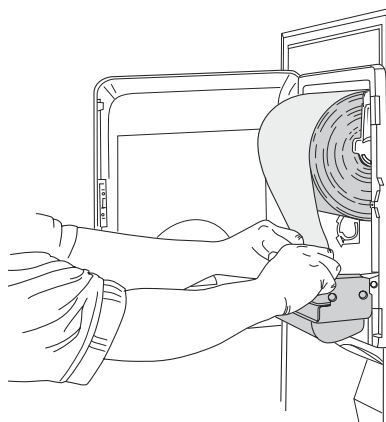


Fig. 8



Fig. 9