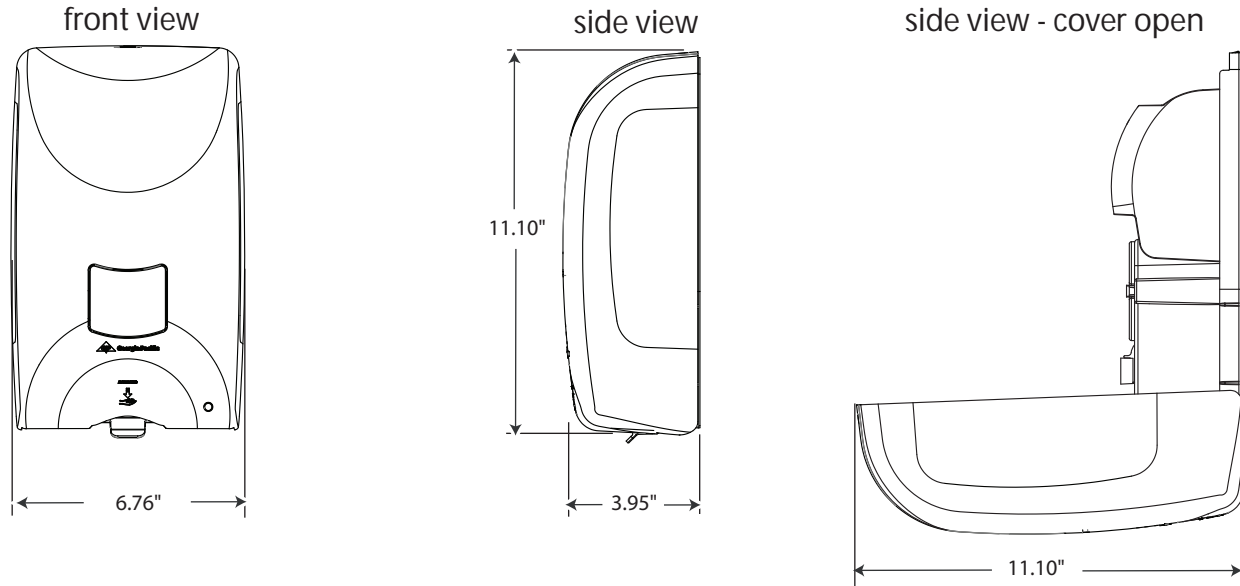


GP Georgia-Pacific® Automated Touchless Soap & Sanitizer Dispenser Specification Sheet



Dispenser Mounting:

1. The dispenser can be either installed by directly attaching to a vertical surface using suitable fasteners or by using an optional mounting bracket (sold separately).

Note: ADA

Select a suitable location allowing at least 8" from any countertop to the bottom of the unit. Failure to allow the appropriate amount of clearance can result in improper unit function.

Installation with screws:

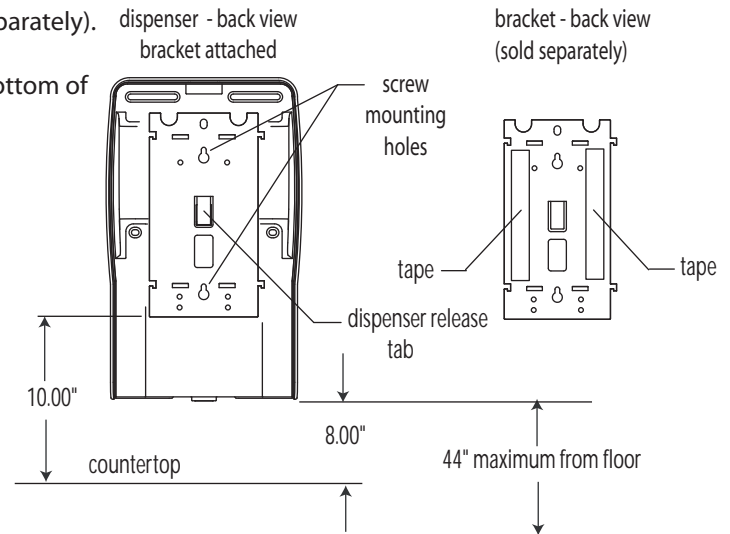
1. Position dispenser and mark holes using the back of dispenser as a template.
2. Drill holes and attach dispenser using appropriate anchors and screws.

Installation with bracket and tape:

1. Clean bracket and mounting surface with alcohol pad.
2. Attach tape to bracket and position bracket on wall.
3. Press bracket firmly to wall for 30 seconds.

Caution - Wait 24 hours before attaching dispenser.

The installation description and illustration herein are to serve as a guide. Georgia-Pacific reserves the right and does from time to time make changes and improvements in design, dimension, and subsequent installations. Georgia-Pacific does not take responsibility for any damage, injury to persons or property or any other incidental or consequential losses due to these installation instructions.



Specifications:

This Georgia-Pacific® automated touchless soap & sanitizer dispenser operates on four D size batteries and only dispenses Pacific Garden® Automated soap & sanitizer bag refills. The dispenser dispenses 0.7mL per activation. The dispenser has an LED light to indicate low battery. The dispenser is equipped with key lock security. The dispenser is constructed of high strength, low maintenance materials.

Weight :

Dispenser: 2.0 lbs (0.91 kg)

Overall Dimensions :

Dispenser: 6.76" W x 11.10" H x 3.95" D

09/01/12 GP5799.1209

Need Assistance? Contact Georgia-Pacific at:
1-866-HELLO GP (1-866-435-5647)
www.gppro.com