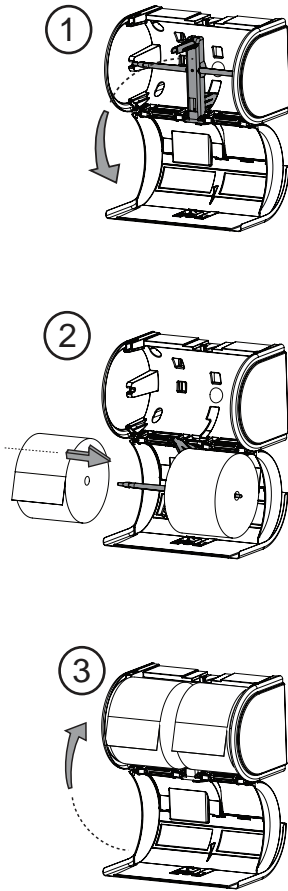




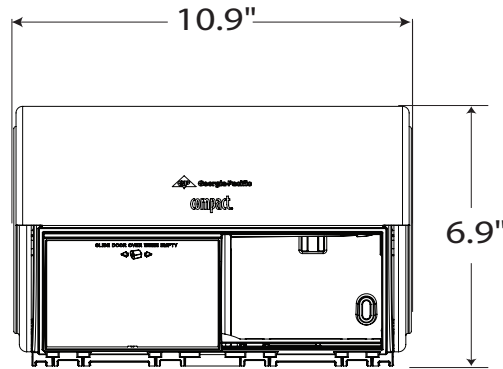
Compact® Stainless Steel Side-by-Side 2-Roll Dispenser
specification and mounting sheet



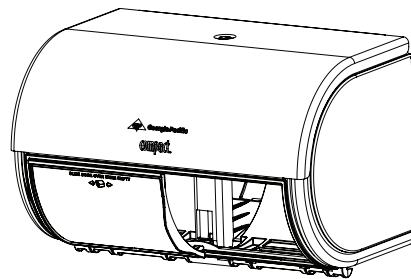
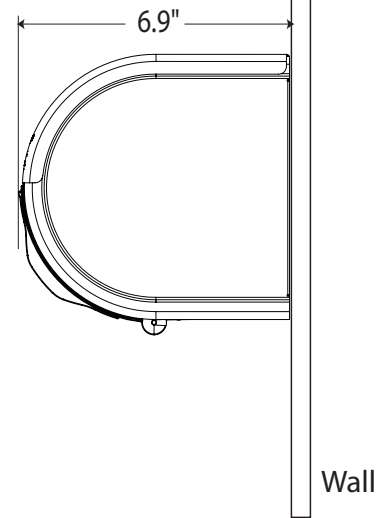
Loading Instructions:



front



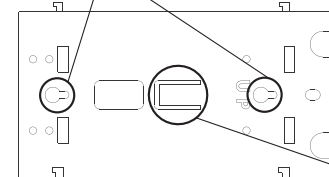
side



Dispenser Mounting

Using 54019 Mounting Bracket
(sold separately)

Screw Mounting
Holes



Dispenser
Release Tab

20.5" Minimum
Distance to
the Floor

Overall Dimensions:

Dispenser: 10.9" W x 6.9" H x 6.9" D

Overall Weight:

Dispenser: 3.25 lbs (1.47kg)

Capacity: 2 rolls of Compact®
Coreless Tissue.

For questions or comments, please call
1-866-HELLO GP (435-5647)