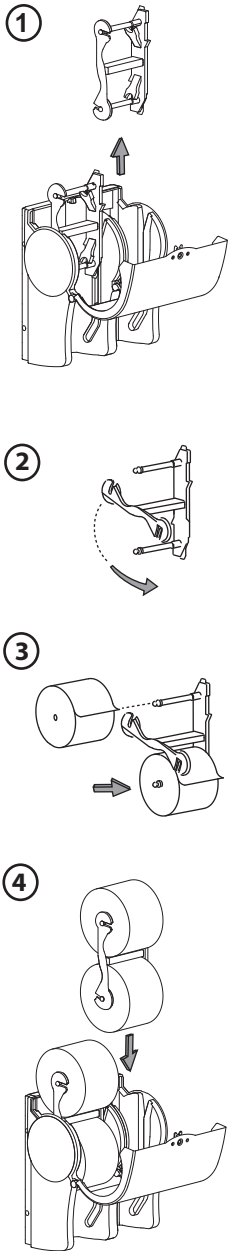




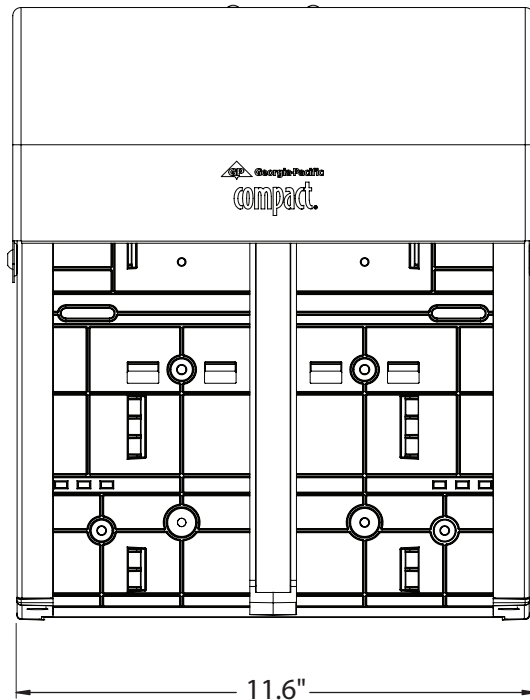
Compact Quad™ Stainless Steel Tissue Dispenser  
specification and mounting sheet



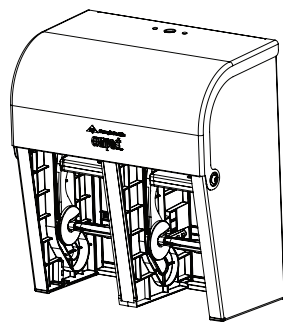
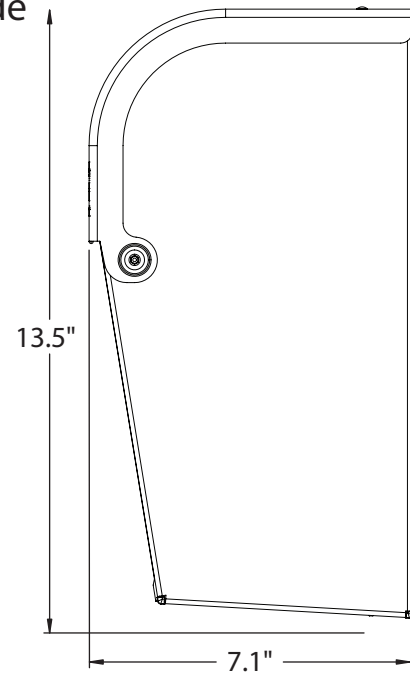
Loading Instructions



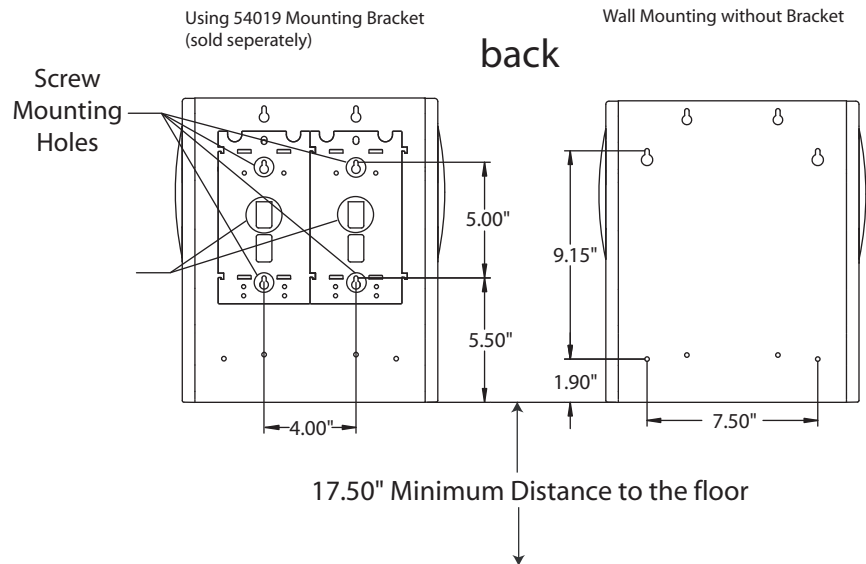
front



side



Dispenser Mounting



**Overall Dimensions:**

Dispenser: 11.6" W x 13.5" H x 7.1" D

**Overall Weight:**

Dispenser: 6.0 lbs (2.7kg)

**Capacity:** 4 rolls of Compact®

Coreless Tissue.

For questions or comments, please call  
1-866-HELLO GP (435-5647)