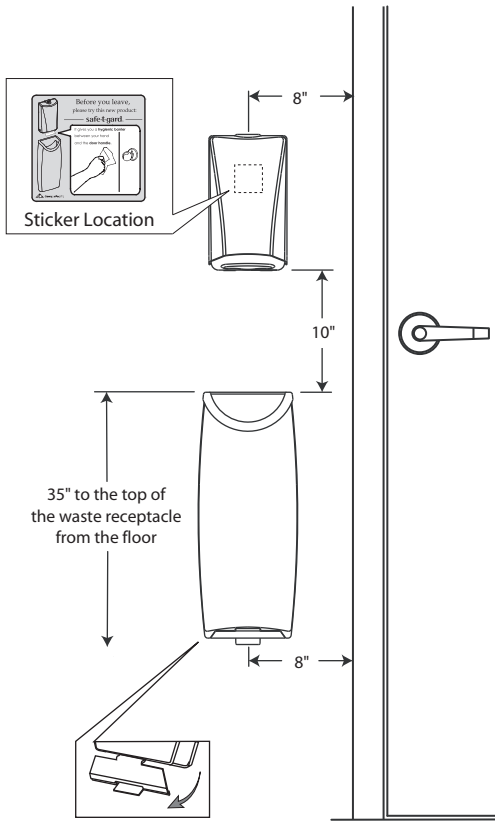
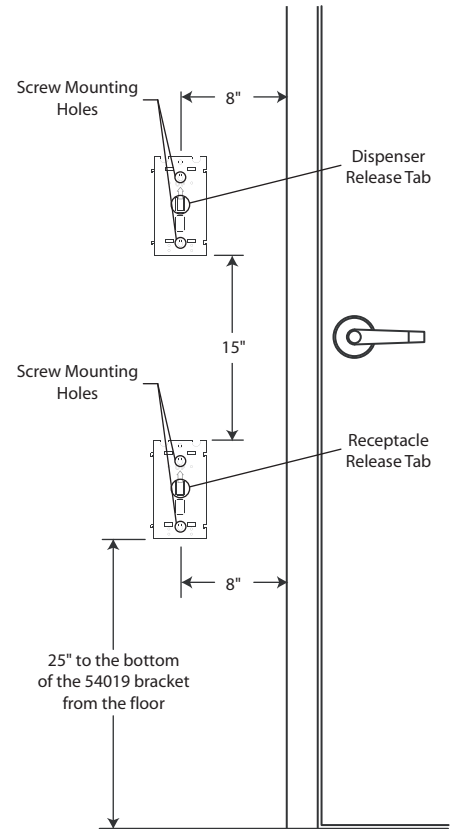
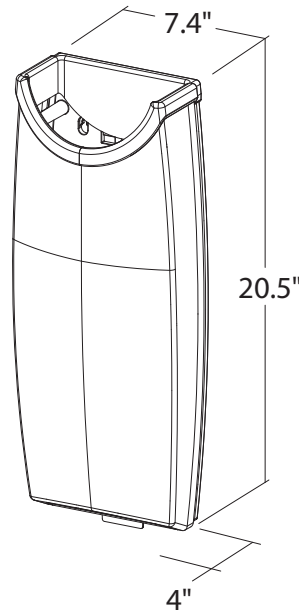
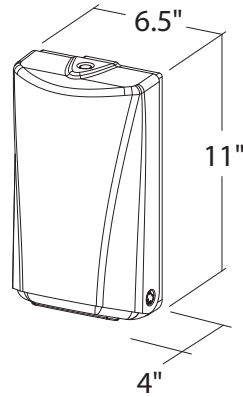


Safe-T-Gard™ Dispenser specification and mounting sheet



When liner is not used, pull release tab located on the bottom of trash can to empty waste

Dispenser Location



54019 Mounting Bracket Location

Overall Dimensions:

Dispenser: 6.5"W x 11"H x 4"D
 Receptacle: 7.4"W x 20.5"H x 4"D

Overall Weight:

Dispenser: 1.0 lbs. (436 g)
 Receptacle: 2.2 lbs. (997 g)

Capacity:

The dispenser accepts two full packages of Georgia-Pacific SKU #10440 Safe-T-Gard™ tissue. The dimensions of the tissue are 4" W x 10" L. The capacity of the waste receptacle is approximately 2.1 gallons.

Specifications:

The dispenser and waste receptacle are constructed of low maintenance, impact resistant polymer materials. Georgia-Pacific SKU #54019 mounting bracket is the recommended method of mounting the dispenser and waste receptacle to the wall, and is included with each dispenser.

The mounting bracket has a release tab that allows the dispenser and waste receptacle to be removed from the wall for easy cleaning and emptying of waste. There is a decorative waste liner retainer included with the waste receptacle. This retainer allows a standard 12-16 gallon waste liner to be used with the dispenser.

For questions or comments, please call
 1-866-HELLO GP (435-5647)

Warning: Safe-T-Gard™ is intended to be mounted only beside the door. Placement on the door itself may subject the user to liability for infringement of United States Patent 6,508,383; Lidahl, et al. Door Sanitation System, January 21, 2003.