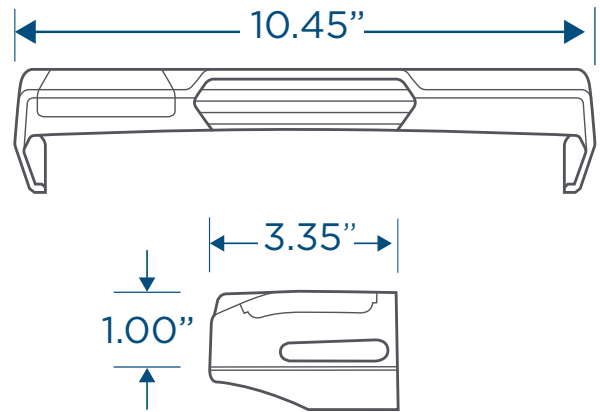




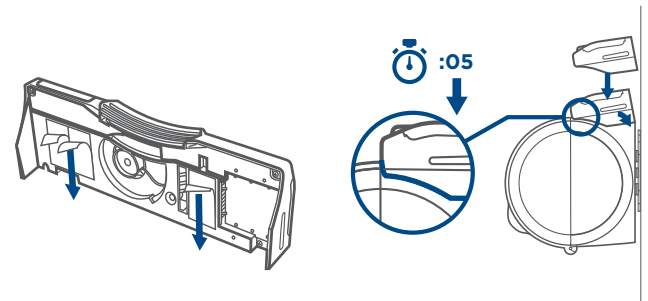
Specification Sheet: 56757, 56760, 56761

ActiveAire™ Air Freshener Dispenser Module



Installation

- 1 Use the alcohol wipe (included) to clean the top of the Compact® tissue dispenser. For accessories or replacement components, please call: 1-866-HELLO GP (1-866-435-5647)
- 2 Peel paper off the adhesive pads already affixed to bottom of the ActiveAire™ dispenser module.
- 3 Position ActiveAire™ dispenser module using matching contours on top of Compact® tissue dispenser as a guide and press down firmly for at least 5 seconds.
NOTE: Even when properly mounted, there may be a gap between the module and the wall.

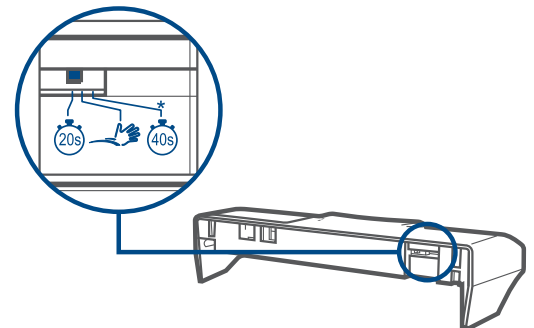


Settings / Operation

(Recommended) The fan runs for 40 seconds when activated by motion of a person entering the stall and can be reactivated for 20 seconds by a hand wave.

The fan can be activated for 30 seconds by a hand wave only.

The fan runs for 20 seconds when activated by motion of a person entering the stall and reactivated for 20 seconds by a hand wave.
NOTE: This setting does not guarantee odor neutralization.



Specifications

USE WITH	Compact® tissue dispenser SKU's: 56783A, 56784A, 56796A, 56797A		
COLORS	56757: Light Gray with gray vent.	MODEL/ SKU NUMBER	Gray: 56757
	56760: White with gray vent.		White: 56760
	56761: Black gray gray vent.		Black: 56761
FINISH	Main body light texture.	MANUFACTURER	GP PRO
POWER	Three AA alkaline batteries (included)	DIMENSIONS	10.5"W x 1"H x 3.35"D
		WEIGHT	1lb
ACCESS	Keyed at cover top (key included). Replacement key: 50504		