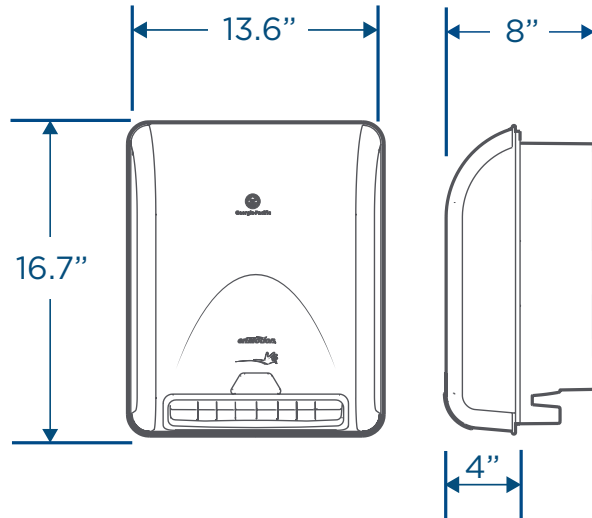


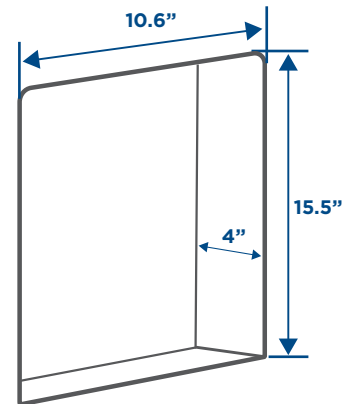
Specification Sheet: 59466A

enMotion® 8" Recessed Automated Touchless Roll Paper Towel Dispenser, Stainless



Installation

- 1 If installing directly into a wall, a rough cut-out of 15.5" high x 10.6" wide x 4" deep will be required. Mounting should comply with ADA guidelines. Compliance is the responsibility of the installer.
 - 2 Screw holes on the inside of the unit are provided to secure the unit to wall studs.
- !** The dispenser door comes mounted on the left side of the housing. If there is not enough clearance for the door on that side of your space the door can be reversed to hinge on the right side.



Operation

This automated towel dispenser utilizes an 8" wide towel roll available at GPPRO.com (89415, 89430, 89420, 89410 and 89440). A blue light will illuminate on the front of the dispenser lens when a towel is successfully dispensed. In the event of a jam three lights will flash behind the sensor lens. When batteries are low a red light will illuminate behind the battery icon on the sensor lens. When paper is low a red light will illuminate behind the low paper icon on the sensor lens. Additionally, the dispenser is equipped with settings that allow adjustment of sheet length, dispenser delay, and choosing between auto supply and motion mode. Instructions on how to adjust these settings are included on the inside of the dispenser cover. The dispenser's cover hinges at the side and can be swapped to open left or right. For questions regarding this dispenser or for replacement parts, please call: 1-866-HELLOGP (1-866-435-5647). www.gppro.com

Specifications

COLOR	Stainless Steel	MODEL/ SKU NUMBER	59466A
FINISH	Stainless Steel #4 Brush	MANUFACTURER	GP PRO
POWER	Option 1: Four D-cell alkaline batteries (included)	DIMENSIONS	13.6"W x 16.7"H x 4/8"D
	Option 2: AC adapter - 120V Plug (59479A) or 24VAC-6V DC (59477A)	WEIGHT	6lbs 4oz
ACCESS	Keyed at cover side (key included). Replacement key: 50504. Key bypass twist-to-open insert available: 50429	COMPATIBLE TRASH RECEPTACLES	59491, 59451, 59453, 59471