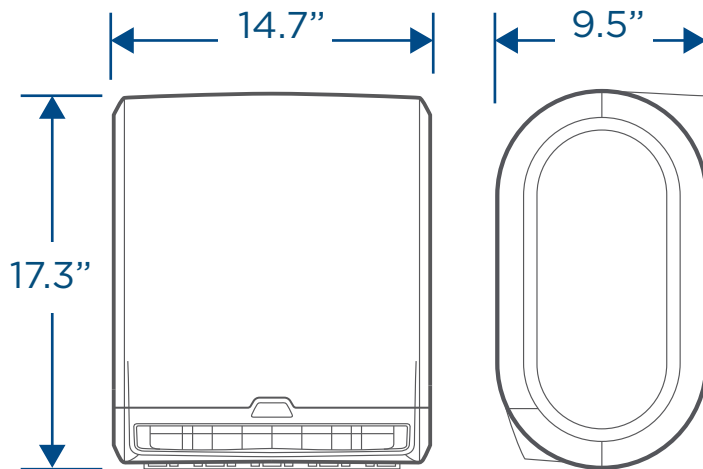


Specification Sheet: 59462A, 59460A, 59407A

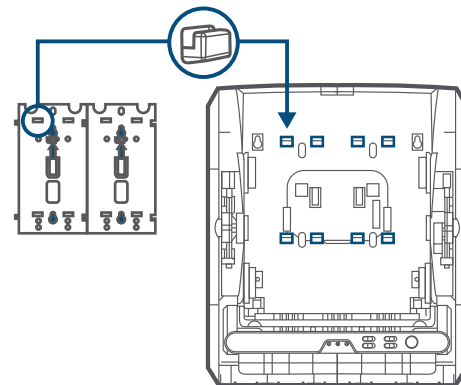
enMotion® 10" Automated Touchless Paper Towel Dispenser



Installation

- 1 Assemble the two mounting brackets (#54019 sold separately) by connecting the sides. For accessories or replacement components, please call: 1-866-HELLO GP (1-866-435-5647)
- 2 With the arrows on the brackets pointing upwards, ensure that the top is level before securing assembled mounting bracket to wall with four (4) anchored screws using the keyhole slots indicated.
- 3 With the front cover open, press unit onto mounting bracket and down ensuring that all clips are engaged as indicated. Close cover.

! Holes have been molded into the back of the dispenser housing if direct-to-wall mounting is desired.



Operation

This automated towel dispenser utilizes an 10" wide towel roll available at GPPRO.com (89460, 89470, 89480, 89485, and 89490). A blue light will illuminate on the front of the dispenser lens when a towel is successfully dispensed. In the event of a jam three lights will flash behind the sensor lens. When batteries are low a red light will illuminate behind the battery icon on the sensor lens. The dispenser is equipped with settings that allow adjustment of sheet length, dispenser delay, sensor range, and choosing between auto supply and motion mode. The dispenser has a rotating "carousel" feature that allows full utilization of partial rolls that help eliminate waste. Instructions on how to use this feature and how to adjust settings are present on the inside of the dispenser cover. The dispenser's cover hinges at the bottom and opens a full 180 degrees. For questions about this dispenser or for replacement parts, please call: 1-866-HELLOGP (1-866-435-5647). www.gppro.com

Specifications

COLORS	59462A: Black with translucent gray side windows.	MODEL/ SKU NUMBER	Black: 59462A
	59407A: White with translucent gray side windows.		White: 59407A
	59460A: Light gray with translucent blue side windows.		Gray: 59460A
FINISH	Main body light texture. Gloss finish around paper chute.	MANUFACTURER	GP PRO
POWER	Option 1: Four D-cell alkaline batteries (included)	DIMENSIONS	14.7"W x 17.3"H x 9.5"D
	Option 2: AC adapter - 120V Plug (59479A) or 24VAC-6V DC (59477A)		WEIGHT
ACCESS	Keyed at cover top (key included). Replacement key: 50504 Key bypass twist-to-open insert available: 50429		