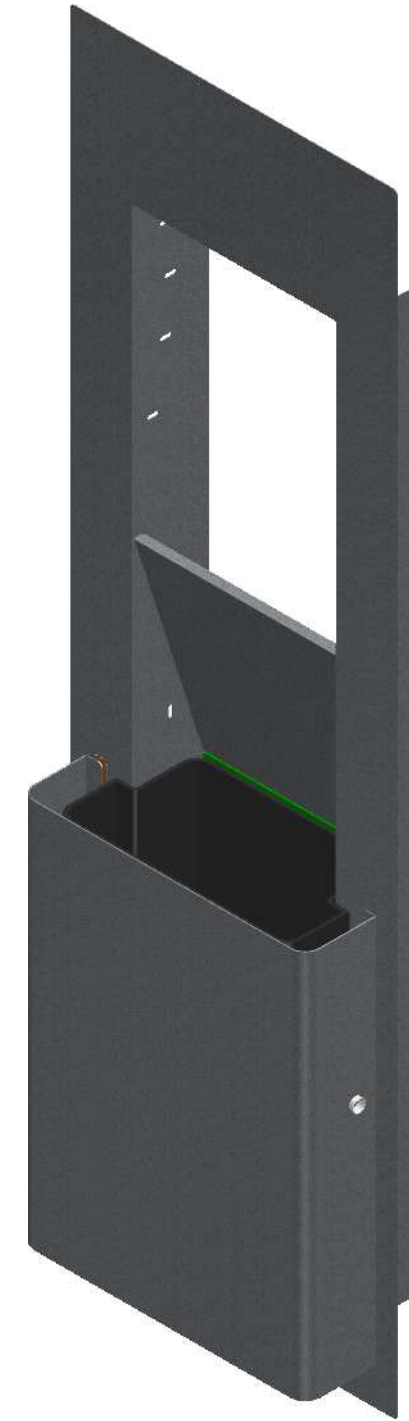
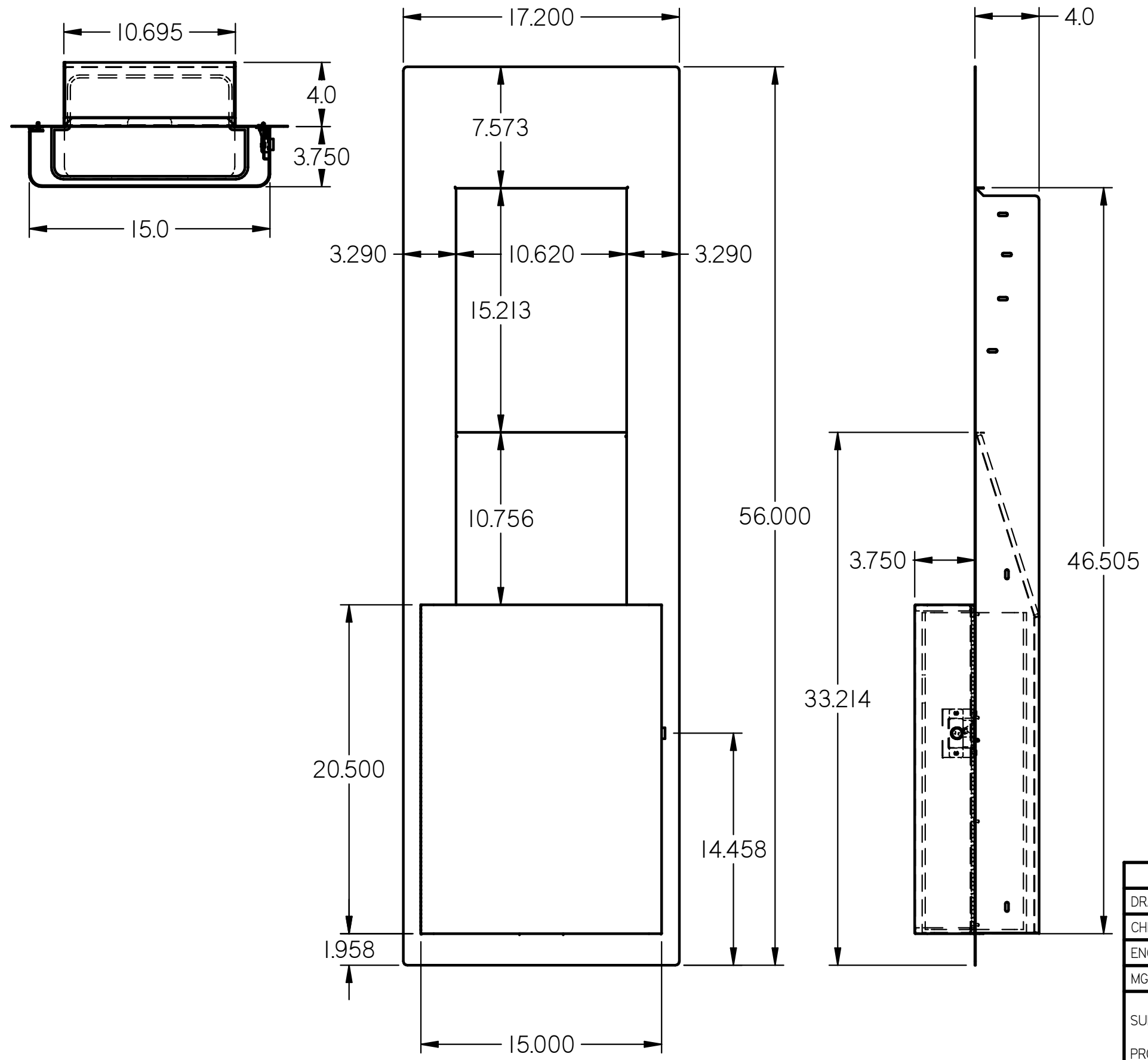



REVISION HISTORY

REV	DESCRIPTION	DATE	APPROVED



	NAME	DATE	 American Specialties, Inc. 441 Saw Mill River Road, Yonkers, NY 10701-4913		
DRAWN	ovelasquez	04/07/15			
CHECKED					
ENG APPR					
MGR APPR			TITLE		
			59453-ADA		
SUBJECT:			SIZE		
PROJECT NUMBER:			B	59453-ADA-Prototype	REV
			FILE NAME: 59453-ADA.dft		
			SCALE: 1:7.14	WEIGHT:	SHEET 1 OF 1